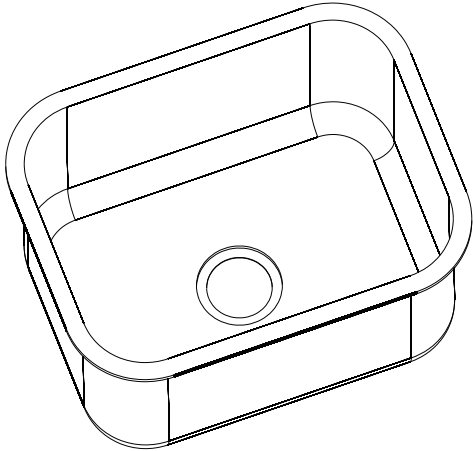




## Specifications

Model Number	Depth-Inches	Drain Placement
KSN-2318-7	7"	CENTER



### SINK DESCRIPTION

- 1800 Series double bowl under-mount sink
- 18 gauge stainless steel, Brushed finish
- Center drain location
- Mounting brackets included, other standard mounting hardware and silicone sealant not system

### CUT OUT DIMENSIONS

- Template included - template number KSN-2318-7

### STANDARDS

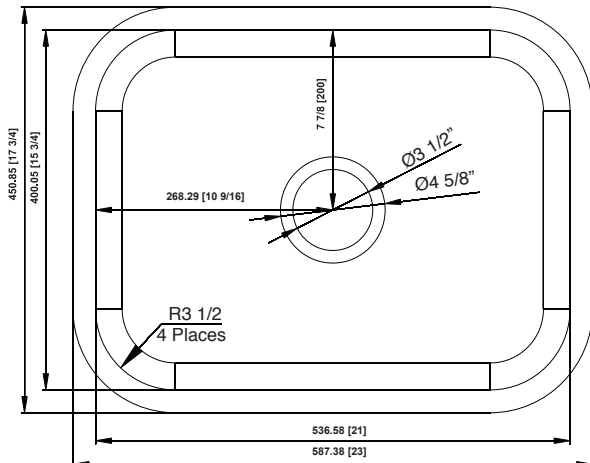
- Third party certified by IAPMO to meet ASME A112.19.3 and all applicable specifications referenced therein

### WARRANTY

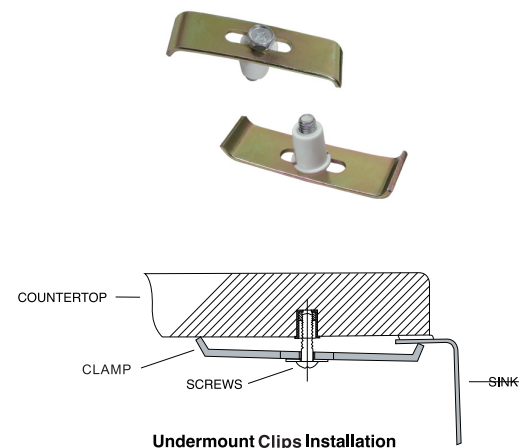
- Limited lifetime warranty against material or manufacturing defects to the original consumer purchaser

### CRITICAL DIMENSIONS

(DO NOT SCALE)



### Installation Detail



FOR MORE INFORMATION CALL:  
1-888-MY-ALLORA  
www.alloraus.com